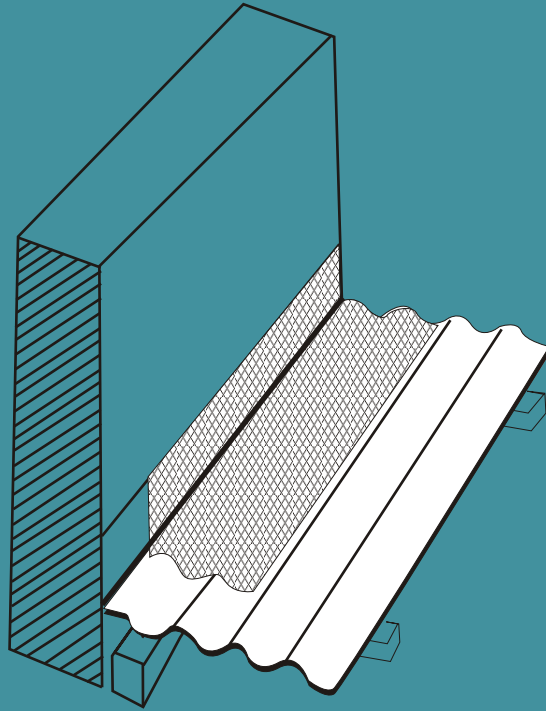
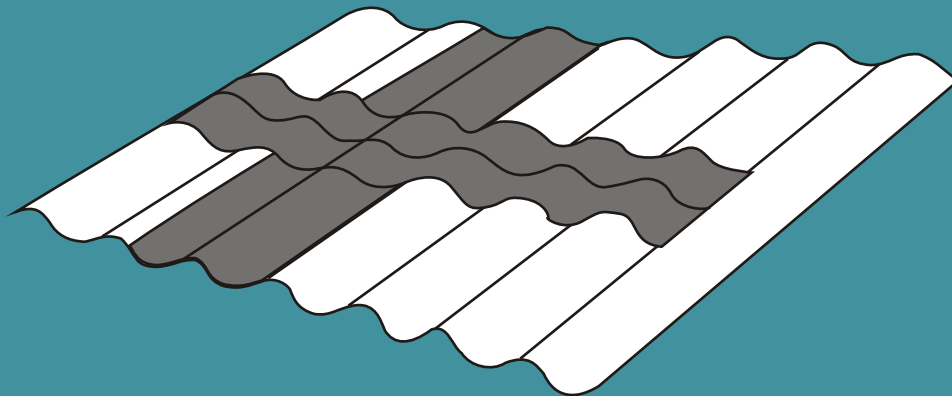


SHEETWALL JUNCTION WATER PROOFING SYSTEM



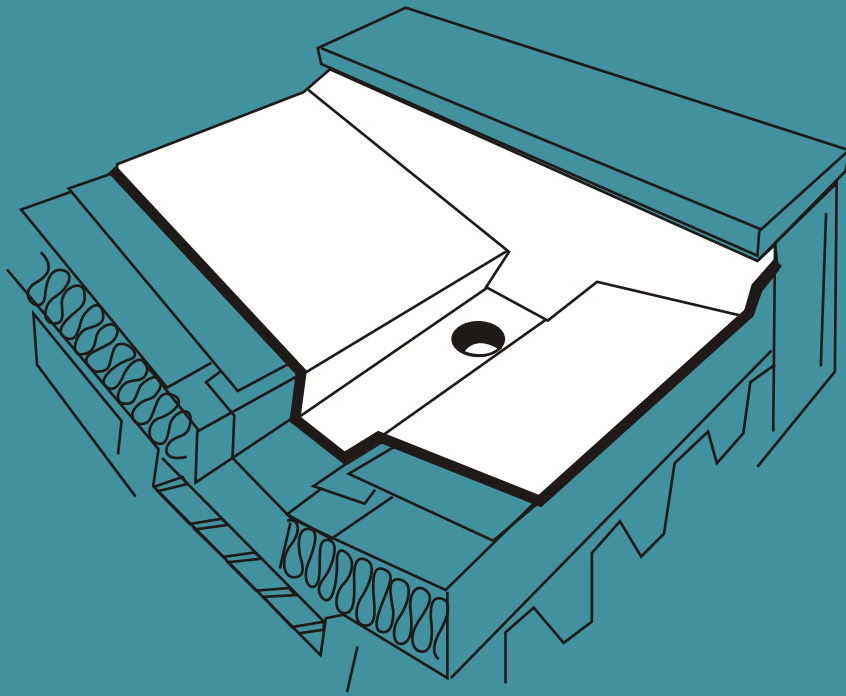
Providing & Applying PU Base Flexible Water Proofing layer sandwich with Polypropylene double layer membrane over the sheet & wall section.

SHEET OVERLAPS SECTION WATER PROOFING SYSTEM



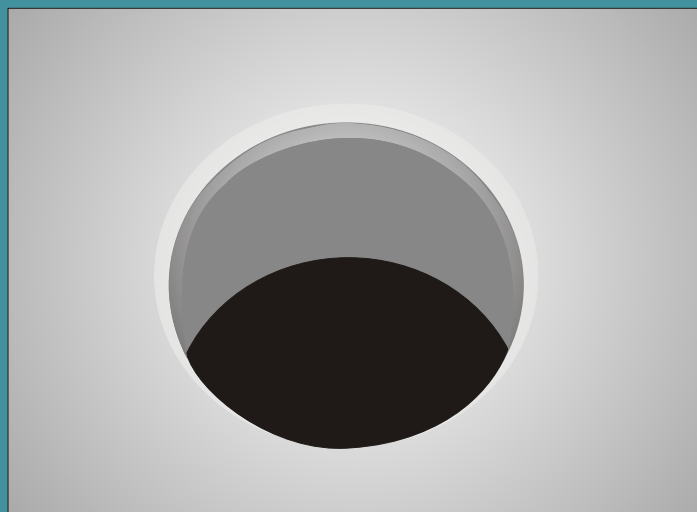
Providing & Applying PU Base Flexible Water Proofing layer sandwich with Polypropylene double layer membrane over the sheet overlaps section.

CONCRETE / METAL GUTTER WATER PROOFING SYSTEM



Providing & Applying PU Base Flexible Water Proofing layer sandwich with Polypropylene double layer membrane between the concrete / metal gutter section.

DRAIN OUTLETS WATER PROOFING SYSTEM



Providing & Applying PU Base Flexible Water Proofing layer sandwich with Polypropylene double layer membrane over the junction of the drain.